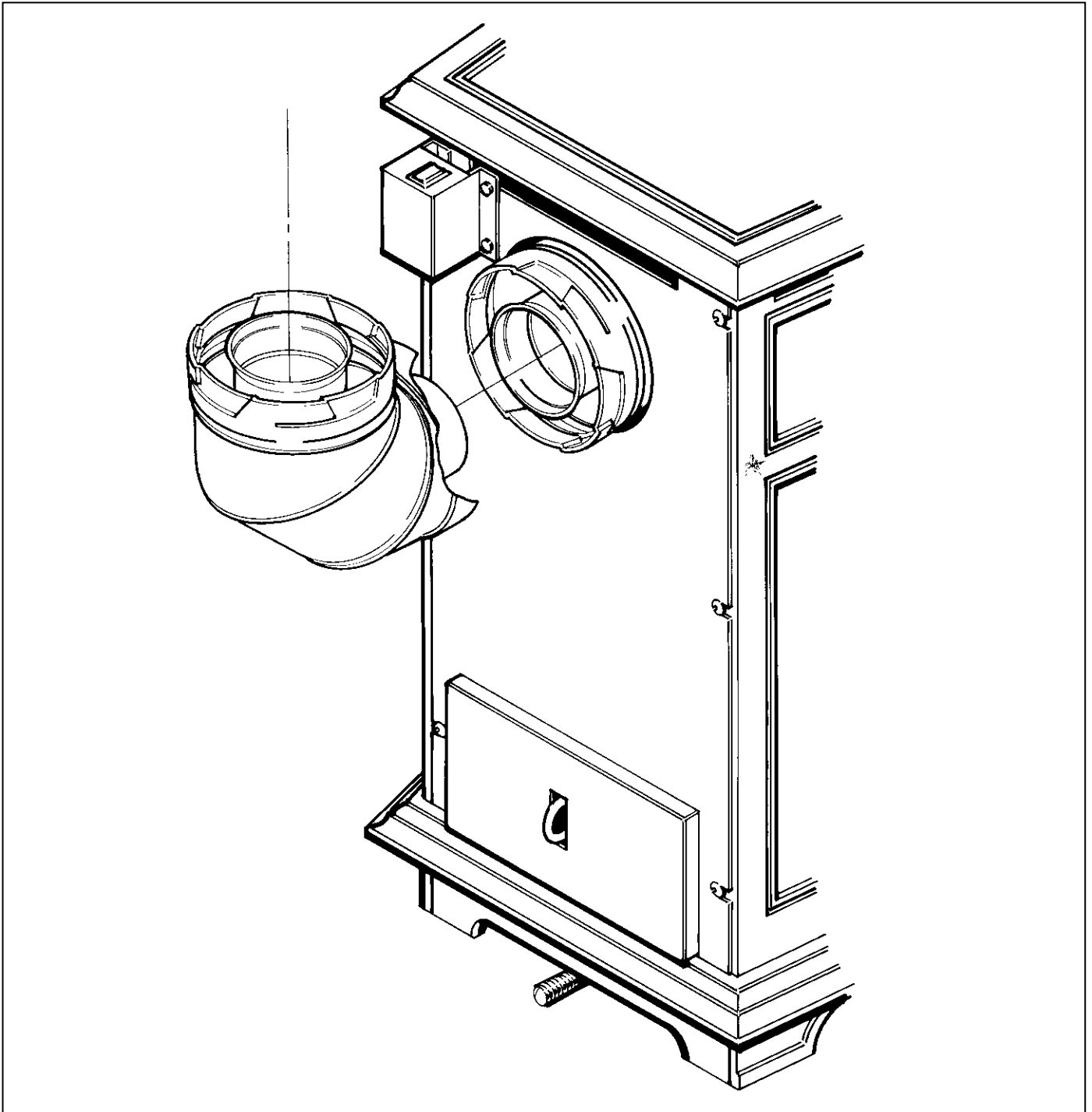


APPENDIX A. PARTS LIST AND REAR EXPLODED VIEW DIAGRAM



Parts List

Cottage Franklin Direct Vent Fireplace **WARNING: do not use substitute materials.**

STONE

G-230	Top Stone
G-231a	Front Top Stone
G-231b	Front Bottom Stone
G-232a	Side Top Stone
G-232b	Side Bottom Stone

CAST IRON

G-101	Right Side Wall
G-102	Left Side Wall
G-103	Front Top
G-104	Top
G-105	Base
G-106	Front Skirt
G-107	Left Skirt
G-108	Right Skirt
G-109	Front Frame
G-110	Door
G-111	Firebox Front
G-112	Exhaust Baffle
G-113	Heat Baffle
G-114	Baffle Rail - 1
G-115	Baffle Rail - 2
G-116	Exhaust Baffle Wing
G-117	Left Firebox Support
G-120	Right Firebox Support
W-221	Door Knob

SHEET METAL

G-118	Top Relief Cover
G-119	Back Relief Cover
G-241	Firebox
G-242	Control Valve Support Bracket (Maxitrol)
G-243	Control Valve Name Plate (Maxitrol)
G-246	Window Frame
G-247	Bottom Window Rail
G-248	Top Window Clip
G-249	Front Retainer
G-250	Rear Wall
G-251	Switch Mount Box
G-252	Bottom-Side Stone Strap
G-253	Front-Top Stone Strap
G-254	Front-Top Heat Shield
G-255	Front-Bottom Heat Shield
G-256	Side Heat Shield
G-257	Top Heat Shield

G-258	Firebox Bottom Heat Shield
G-260	Burner (w/Venturi Tube)
G-263	Manifold Tube (Maxitrol)
G-269a	LP Bulkhead Orifice
G-269b	NG Bulkhead Orifice
W-2408	Stainless Steel Hinge

MISCELLANEOUS

G-67a	3/8 Compression Nut w/ Ferrel
G-98	1/2 SS Appliance Connector 12" Long
G-90	6.63" Flue Adapter
G-91	Tile for Burner
G-140	Glass
G-270	LP Controller w/ Ignitor Wire
G-271	NG Controller w/ Ignitor Wire
G-272	LP Pilot (PSE)
G-273	NG Pilot (PSE)
G-275	Black Cover for Controller w/ Micro-Switch
G-276	Cable w/ Protective Diode
G-277	Connection Cable
G-278	On-Off Switch w/ Cable
G-279	Battery Holder
G-294	Oval Plate
W-2406	Door Magnet

GASKET

W-1602	Window Gasket
W-1607a	3/16" Gasket
W-1608a	1/4" Gasket
W-1609a	5/16" Gasket
W-1603	KWAL Gasket

ACCESSORIES

G-475	Remote Control (Maxitrol)
G-476	Connecting Cable for Remote

To order parts, or for information about parts or service, please contact:

Woodstock Soapstone Company, Inc.
66 Airpark Road
West Lebanon, NH 03784

Tel: 800-866-4344
Fax: 603-298-5958